



TENSIONED EXECUTIVE® ELECTROL®

Automatic Electric Projection Screen Model

DA-LITE SCREEN COMPANY, INC.
3100 North Detroit Street
Post Office Box 137
Warsaw, Indiana 46581-0137
Phone: 574/267-8101
800-622-3737
Fax: 574/267-7804
http://www.da-lite.com
e-mail: info@da-lite.com

SPECIFICATION DATA

SUGGESTED SPECIFICATIONS: _____ projection screens, _____ (H) x _____ (W), electrically operated 120 volt (60 Hz) 2.6 amp. Three wire quick reversal motor especially designed for the purpose, to be ball bearing and oiled for life. With automatic thermal overload cut-out and integral interlocking gears. To have pre-set but adjustable limit switches to automatically stop screen surface in the "up" and "down" positions. Stop action to be positive to prevent coasting. The roller to be of rigid metal at least 3" in diameter and mounted on two heavy duty brackets equipped with self-aligning bearings. Screen surface to be seamless, flame retardant and mildew resistant vinyl, with Da-Mat, High Contrast Da-Mat, Cinema Vision, High Contrast Cinema Vision, High Contrast Cinema Perf, Pearlescent, Da-Tex (Rear), Dual Vision, or Audio Vision or High Contrast Audio Vision surface with black masking borders standard. Each side of the fabric to have tab guide cable system to maintain even lateral tension and hold surface flat. Custom slat bar with added weight maintains vertical tension on the screen surface. Case to be of wood, with double top for extra rigidity and sound deadening. Motor compartment to be metal lined. A section of the bottom of the case shall be equipped with hinges and connected to the drive mechanism so that it opens and closes automatically with the lowering and raising of the screen surface. Balance of the bottom panel shall be pegged to manual opening to provide access. Hinges shall be mounted to allow matching of the bottom panel to the ceiling. **(Specify Type 1 and 2 or Type 3 hinge, as required.)** Case to be finished with a primer coat, ready to accept final finish by others. To be complete with three position control switch in box with cover plate. Screen to be listed by Underwriters' Laboratories and CSA.

All viewing surfaces will be seamless.

Audio Vision, High Contrast Audio Vision and High Contrast Cinema Perf available in sizes up to 87" x 116" in Video Format and 78" x 139" in HDTV Format.



SQUARE FORMAT DIMENSIONS

Viewing Area		*Overall Length of Case		Approx. Ship. Wt.	
H x W	Cm	In.	Cm	Lbs.	Kg
50" x 50"	127 x 127	86-3/4"	220	140	63.50
60" x 60"	152 x 152	97-3/4"	248	155	70.31
70" x 70"	178 x 178	109-1/4"	277	183	83.01
84" x 84"	213 x 213	125-3/4"	319	211	95.71
6' x 8'	183 x 244	135-3/4"	344	244	110.68
8' x 8'	244 x 244	139-1/4"	353	244	110.68
7' x 9'	213 x 274	149-3/4"	380	267	120.15
9' x 9'	274 x 274	148-1/4"	376	267	120.15
8' x 10'	244 x 305	163-1/4"	415	279	126.55
10' x 10'	305 x 305	160-1/4"	407	279	126.55
9' x 12'	274 x 366	183-3/4"	466	323	146.51

VIDEO FORMAT DIMENSIONS

Nominal Diagonal Size		Viewing Area		A Overall* Length of Case		Shipping Weight	
In.	Cm	H x W	Cm	In.	Cm	Lbs.	Kg
72"	183	43" x 57"	109 x 145	92-3/4"	235	156	70.76
84"	213	50" x 67"	127 x 170	103-3/4"	263	183	83.01
100"	254	60" x 80"	152 x 203	117-3/4"	299	211	95.71
120"	305	69" x 92"	175 x 234	131-3/4"	334	244	110.68
150"	381	87" x 116"	221 x 295	158-3/4"	403	279	126.55
180"	457	108" x 144"	274 x 366	183-3/4"	466	323	146.51
200"	508	120" x 160"	305 x 406	200-3/4"	510	353	160.12

HDTV FORMAT DIMENSIONS

Nominal Diagonal Size		Viewing Area		A Overall* Length of Case		Shipping Weight	
In.	Cm	H x W	Cm	In.	Cm	Lbs.	Kg
92"	234	45" x 80"	114 x 203	116-1/4"	295	211	95.71
106"	269	52" x 92"	132 x 234	128-3/4"	327	244	110.68
110"	279	54" x 96"	137 x 244	133-1/4"	338	250	113.40
119"	302	58" x 104"	147 x 264	141-3/4"	360	261	118.39
133"	338	65" x 116"	165 x 295	154-3/4"	393	279	126.55
159"	404	78" x 139"	201 x 353	179-3/4"	456	300	136.08

***NOTE:** Add 7" to overall length for mounting brackets.

All screens standard with 12" black drop at the top except 200" diagonal which has 4".

NOTE: Extra drop may alter case dimensions. Contact Da-Lite for details.

NOTE: Overall case length dimensions $\pm 1/4"$.

Specifications subject to change without notice.

Detailed dimensional drawings, wiring diagrams and installation instructions available upon request.

Project: _____

Architect: _____

Phone: _____

Contractor: _____

Phone: _____

Supervisor: _____

Phone: _____

Supplier: _____

Date: _____

Revised: _____

WHEN ORDERING, MARK APPROPRIATE SELECTIONS:

Select size from charts on the other side.

Select method of installation:

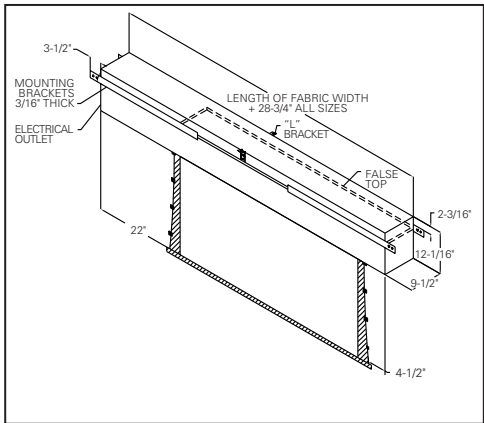
- Type 1 and 2 – Offset or Flush Mounting.
- Type 3 – Extended Mounting.

Select viewing surface:

- Da-Mat™ Cinema Vision Pearlescent
- Dual Vision Da-Tex (Rear) Audio Vision
- High Contrast Da-Mat™ High Contrast Cinema Vision
- High Contrast Audio Vision High Contrast Cinema Perf

Options:

- Locking Switch Cover Plate for 120V or LVC Switch.
- Single motor low voltage control, 3 button with one (1) Switch.
 - Radio Frequency Wireless Remote Control for LVC System.
 - Infrared Wireless Remote Control Unit for LVC System.
- Locking Switch Cover Plate for 120V or LVC Switch.
- Key Operated Switch for 120V only (NOTE: Cannot be used with low voltage system.)
- 220 Volt (50 Hz) motor.
- Video Projector Interface Control - 12V or 5V.
- External SCB-100 - RS-232 Serial Control Board
 - NET-100 Ethernet-Serial Adapter
 - MNC-100 Master Network Controller Software



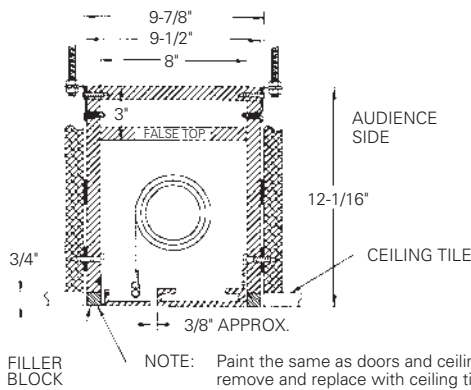
TENSIONED EXECUTIVE® ELECTROL®

SUGGESTED METHODS FOR INSTALLATION ACCORDING TO CEILING TYPE

TYPE 1 & 2

Offset mounting, recessed above ceiling, for plaster, dry wall or paneling. Door painted same finish as ceiling.

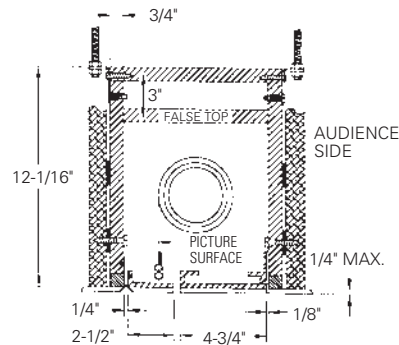
INCLUDING MOUNTING BRACKETS



TYPE 1 & 2

Allow 1/8" min. clearance all around surface door.

Flush mounting, recessed above ceiling. For use with 1/4" max. paneling or installation in existing ceiling using molding around door.



TYPE 3

Allow 1/4" min. clearance all around surface door.

Extended mounting, recessed above ceiling. For use with acoustical or other ceiling tile 3/4" thick laid over door.

