

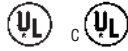


# SINGLE MOTOR LOW VOLTAGE CONTROL (LVC)

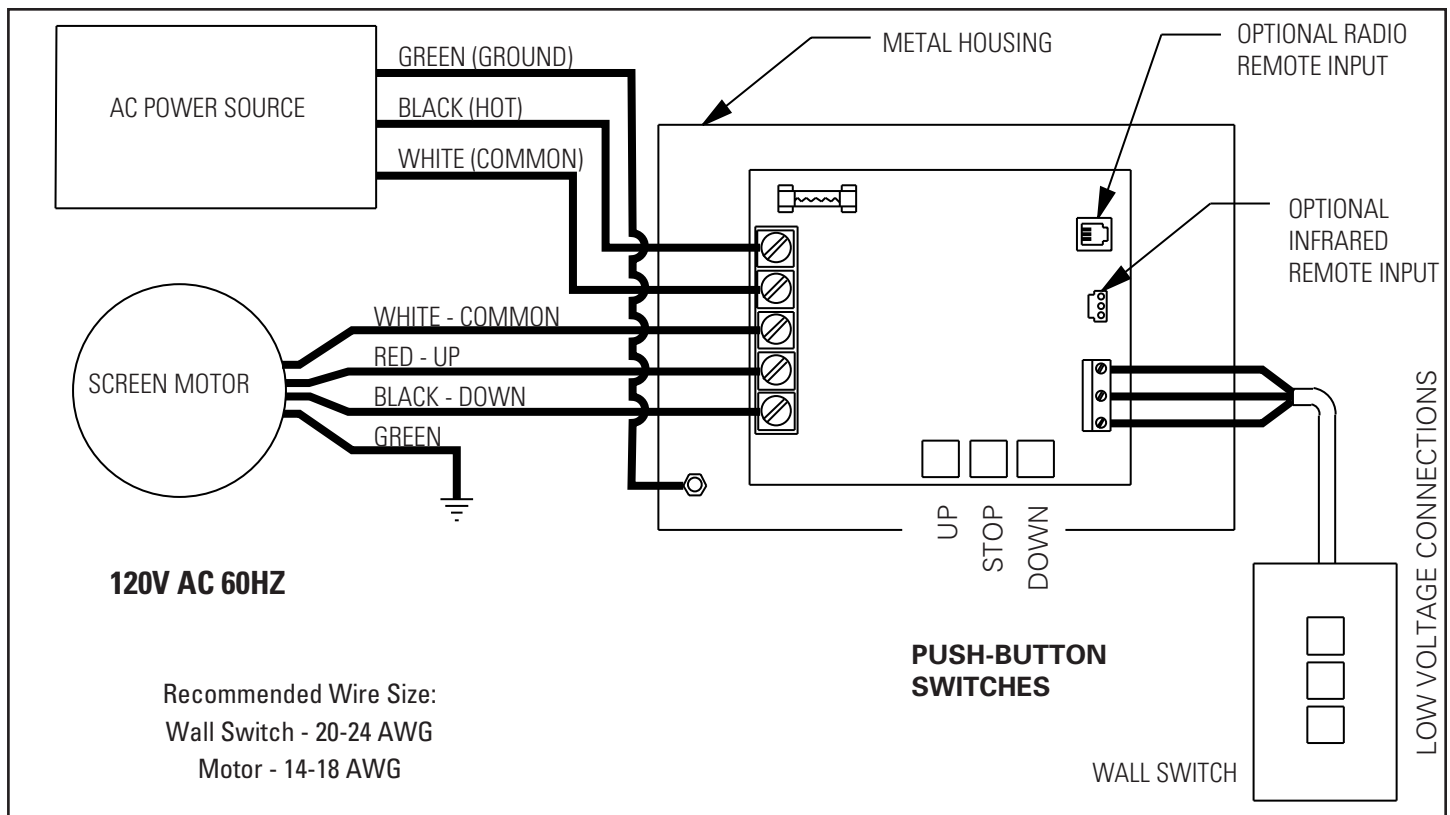
## SPECIFICATION DATA

**DA-LITE SCREEN COMPANY, INC.**  
 3100 North Detroit Street  
 Post Office Box 137  
 Warsaw, Indiana 46581-0137  
 Phone: 574/267-8101  
 800-622-3737  
 Fax: 574/267-7804  
 http:// www.da-lite.com  
 e-mail: info@da-lite.com

**SUGGESTED SPECIFICATIONS:** Electrical rating 115 V AC 60 Hz 5A. The single motor low voltage control is used to operate Da-Lite single motor electric screens from one or more locations, remote control, or for integration into a control panel system. Operated by a 3-button momentary contact switch. Connections, including 115 volt input, switch input and motor output, to control board provided by screw terminal blocks. Any combination of single or multiple 3-button switches, optional radio frequency remote or infrared remote, or a control panel with momentary dry contacts may control unit. Control board to be mounted in a galvanized steel housing measuring 2-1/4"H x 4-1/2"W x 7"L. Standard knockouts provided on housing for cable clamps. Control to be listed by Underwriter's Laboratories.



**NOTE:** This control cannot be used with the Horizon, Ascender, or Motorized Scenic Roller screens.



POWER	MOTOR	TERMINAL BLOCK
BLACK		HOT
WHITE		NEUTRAL
	WHITE	MOTOR COMMON
GREEN	GREEN	
	RED	UP
	BLACK	DOWN

**Options:**

- Radio Frequency Remote Control.
- Infrared Remote Control.
- Additional 3-button Wall Switch.
- 240V Model Available.

Specifications are subject to change without notice.

Project: \_\_\_\_\_

Architect: \_\_\_\_\_

Phone: \_\_\_\_\_

Contractor: \_\_\_\_\_

Phone: \_\_\_\_\_

Supervisor: \_\_\_\_\_

Phone: \_\_\_\_\_

Date: \_\_\_\_\_

Revised: \_\_\_\_\_