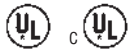




SPECIFICATION DATA

SUGGESTED SPECIFICATIONS: _____ projection screens, _____ (H) x _____ (W), size. The Director Screen shall have two motors, one to operate door and one to operate screen. Door motor electrically operated 120 volt (60 Hz) 1.2 amp. Shall have specially designed motor mounted inside the roller, to be three wire with ground, quick reversal type, oiled for life, with automatic thermal overload cutout, integral gears, capacitor and an electric brake to prevent coasting. To have pre-set but adjustable limit switches to automatically stop fabric door in the "up" and "down" positions. The roller to be of rigid aluminum, 1-1/2" in diameter, mounted on two vibration and noise absorbing supports. Screen motor is electrically operated 120 volt (60 Hz) 1.4 amp. Shall have specially designed motor mounted inside the roller with a noise silencer to be three wire quick reversal type, oiled for life, with automatic thermal overload cutout, integral gears, capacitor and an electric brake to prevent coasting. To have pre-set but adjustable limit switches to automatically stop picture surface in the "up" and "down" positions. The roller to be of rigid metal, 3" in diameter, mounted on two vibration and noise absorbing supports. Screen fabric to be flame retardant and mildew resistant fiberglass with Glass Beaded, Matte White, High Contrast Matte White, High Power or Video Spectra® 1.5 with black masking borders standard. Bottom of fabric shall be formed into a pocket holding a 3/8" metal rod. The ends of the rod shall be protected by heavy duty plastic caps. Case shall be an aluminum extrusion. Bottom of case to be self-trimming with a built-in flange around the bottom of the case. Case to be white. Steel brackets bolted to the ends of case for ceiling mounting. A section of the bottom of the case shall be an aluminum door equipped with hinges so that it opens and closes automatically with the lowering and raising of the picture surface. The balance of the bottom of the case shall be a second hinged aluminum door with manual opening to provide access. Hinges shall be mounted in a concealed way. To be complete with three position control switch in box with cover plate. Screen to be listed by Underwriters' Laboratories.



Matte White: Horizontal seams required when both dimensions exceed 10 feet.

Glass Beaded: Horizontal seams required when both dimensions exceed 8 feet.

Video Spectra® 1.5 and High Contrast Matte White: Available in sizes where both dimensions do not exceed 8 feet.

High Power: Available in sizes up to and including 9 feet by 12 feet. Horizontal seams required when both dimensions exceed 6 feet.

DIMENSIONS

Sizes		Overall Length of Case		Approx. Ship. Wt.	
H x W	Cm	In.	Cm	Lbs.	Kg
50" x 50"	127 x 127	62-1/4"	158	71	32.21
60" x 60"	152 x 152	72-1/4"	183	81	36.74
70" x 70"	178 x 178	82-1/4"	209	92	41.73
84" x 84"	213 x 213	96-1/4"	244	107	48.54
6' x 8'	183 x 244	108-1/4"	275	111	50.35
8' x 8'	244 x 244	108-1/4"	275	117	53.07
7' x 9'	213 x 274	120-1/4"	305	122	55.34
9' x 9'	274 x 274	120-1/4"	305	130	58.97
8' x 10'	244 x 305	132-1/4"	336	142	64.41
10' x 10'	305 x 305	132-1/4"	336	170	77.11
9' x 12'	274 x 366	156-1/4"	397	180	81.65
12' x 12'	366 x 366	156-1/4"	397	200	90.72

VIDEO FORMAT DIMENSIONS

Viewing Area		Nominal Diagonal		Overall Length of Case		Approx. Ship. Wt.	
H x W	Cm	In.	Cm	In.	Cm	Lbs.	Kg
43" x 57"	109 x 145	72"	183	72-1/4"	183	83	37.65
50" x 67"	127 x 170	84"	213	82-1/4"	209	93	42.18
57" x 77"	145 x 196	96"	244	96-1/4"	244	108	48.99
60" x 80"	152 x 203	100"	254	96-1/4"	244	108	48.99
69" x 92"	175 x 234	120"	305	108-1/4"	275	119	53.98
87" x 116"	221 x 295	150"	381	132-1/4"	336	144	65.32
105" x 140"	267 x 356	180"	457	156-1/4"	397	168	76.20
120" x 160"	305 x 406	200"	508	176-1/4"	448	188	85.28

HDTV FORMAT DIMENSIONS

Viewing Area		Nominal Diagonal		Overall Length of Case		Approx. Ship. Wt.	
H x W	Cm	In.	Cm	In.	Cm	Lbs.	Kg
45" x 80"	114 x 203	92"	234	96-1/4"	244	108	48.99
52" x 92"	132 x 234	106"	269	108-1/4"	275	119	53.98
54" x 96"	137 x 244	110"	279	112-1/4"	285	120	54.43
58" x 104"	147 x 264	119"	302	120-1/4"	305	122	55.34
65" x 116"	165 x 295	133"	338	132-1/4"	336	144	65.32
78" x 139"	201 x 353	159"	404	156-1/4"	397	188	85.28

Overall case length dimensions ± 1/4".
Detail dimensional drawings, wiring diagrams and installation instructions available upon request.

Specifications subject to change without notice.
NOTE: Letterbox formats available upon request.

WHEN ORDERING, MAKE APPROPRIATE SELECTIONS:

Select size from charts on the other side.

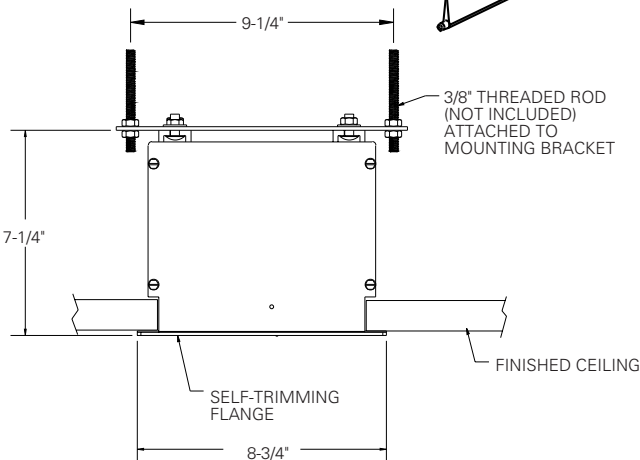
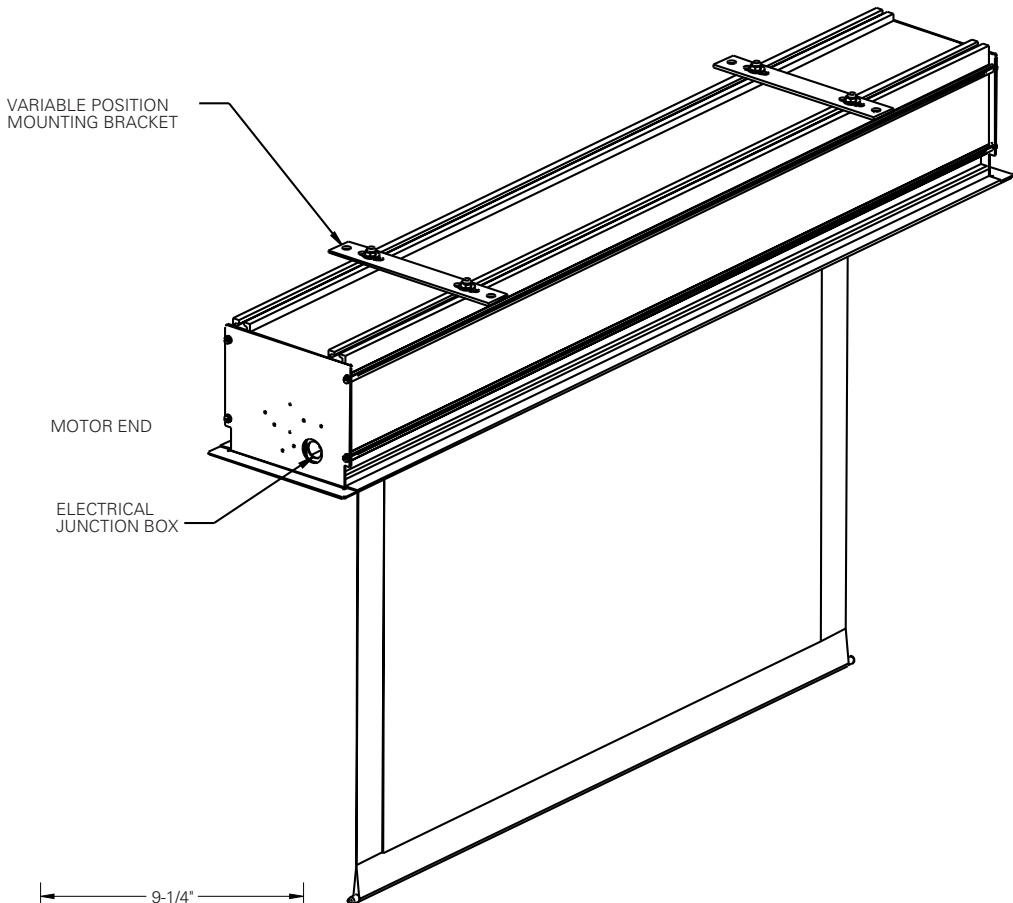
Select viewing surface:

- Matte White
- High Contrast Matte White
- Glass Beaded
- Video Spectra® 1.5
- High Power

Optional Accessories:

- Black "Extra Drop" to lower picture area more than normal. Maximum total drop 13' (396 Cm) including picture area. Length of extra drop required ____ Top ____ or Bottom ____ of screen.
- White "Extra Drop" to lower picture area more than normal. Maximum total drop 13' (396 Cm) including picture area. Length of extra drop required ____ Top ____ or Bottom ____ of screen.
- No borders (Black masking borders standard).
- Single motor low voltage control, 3 button with one (1) Switch. Available separately or built-in with screen.
 - Radio Frequency Wireless Remote Control for LVC System.
 - Infrared Wireless Remote Control Unit for LVC System.
- Key Locking Cover Plate for 120 V Switch or LVC.
- Key Operated Switch for 120 V only (NOTE: Cannot be used with low voltage system).
- 220 Volt (50 Hz) Motor.
- Video Projector Interface - 12 V or 5 V.
- SCB-100 RS-232 Serial Control Board
 - NET-100 Ethernet-Serial Adapter
 - MNC-100 Master Network Controller Software

DIRECTOR ELECTROL®



Project:	_____
Architect:	_____
Phone:	_____
Contractor:	_____
Phone:	_____
Supervisor:	_____
Phone:	_____
Supplier:	_____
Date:	_____
Revised:	_____